

GrowPRO
3.0



HAVE YOURSELF A GrowPRO 3.0



1. Lightweight Polyester
Extra strong Oxford D600 Denier fabric on the outside



2. Diffuse Reflection
New optimized white Polyethylen (PE) surface on the inside



3. Removable Air Cover
Allows an easy regulation of air flow and humidity



4. Durable Zippers
Strong and reliable metal zippers for longevity



5. Watertight Tray
Safety first! The tray avoids unintended leakage

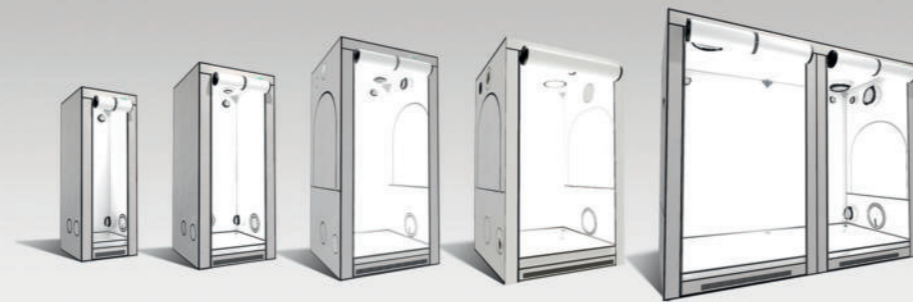
ONE OF THE FINEST GROW TENTS.

GrowPRO 3.0 is a product of

CRP Import-Export GmbH
Billbrookdeich 82
D-22113 Hamburg
Phone: +49 (0) 40 - 7367 6191
E-Mail: info@growmart.de

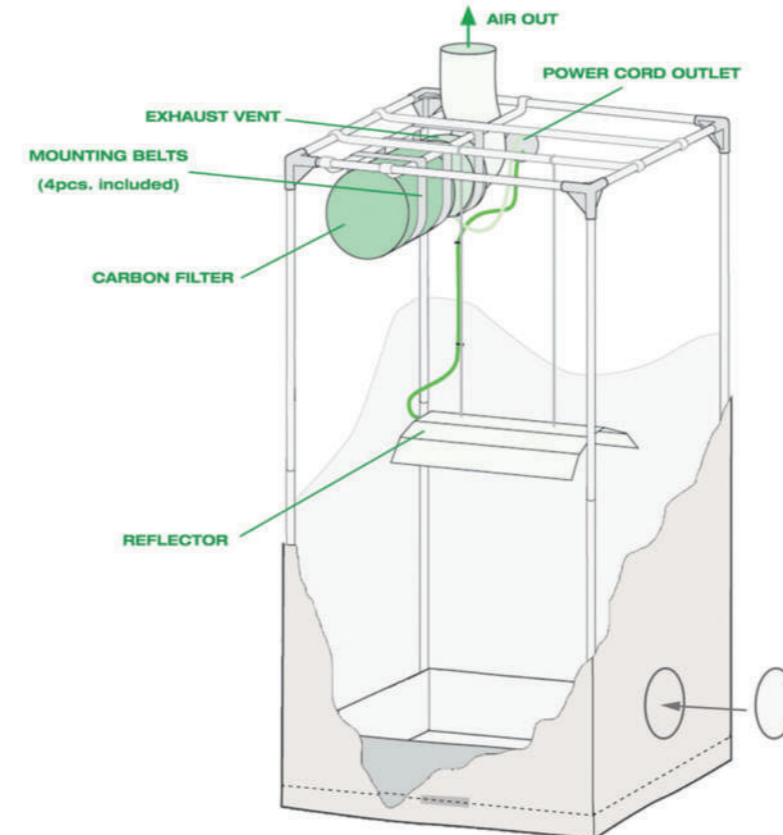


THE GrowPRO 3.0 FAMILY To suit your growing needs.



| | | |
|--|------------|--|
| | XS | GrowPRO 3.0 XS Size: 60 x 60cm • Height: 160cm Air intake: 4 • Outlets: 1 • Filtered air hatch: 3 Material: Oxford D600 Denier / Polyethylen (PE) |
| | S | GrowPRO 3.0 S Size: 80 x 80cm • Height: 180cm Air intake: 4 • Outlets: 1 • Filtered air hatch: 3 Material: Oxford D600 Denier / Polyethylen (PE) |
| | L | GrowPRO 3.0 L Size: 100 x 100cm • Height: 200cm Air intake: 4 • Outlets: 2 • Filtered air hatch: 2 Material: Oxford D600 Denier / Polyethylen (PE) |
| | XL | GrowPRO 3.0 XL Size: 120 x 120cm • Height: 200cm Air intake: 4 • Outlets: 2 • Filtered air hatch: 2 Material: Oxford D600 Denier / Polyethylen (PE) |
| | XXL | GrowPRO 3.0 XXL Size: 240 x 120cm • Height: 200cm Air intake: 6 • Outlets: 2 • Filtered air hatch: 2 Material: Oxford D600 Denier / Polyethylen (PE) |

RECOMMENDED SET UP



*ADDITIONAL EQUIPMENT FOR THE GrowPRO 3.0



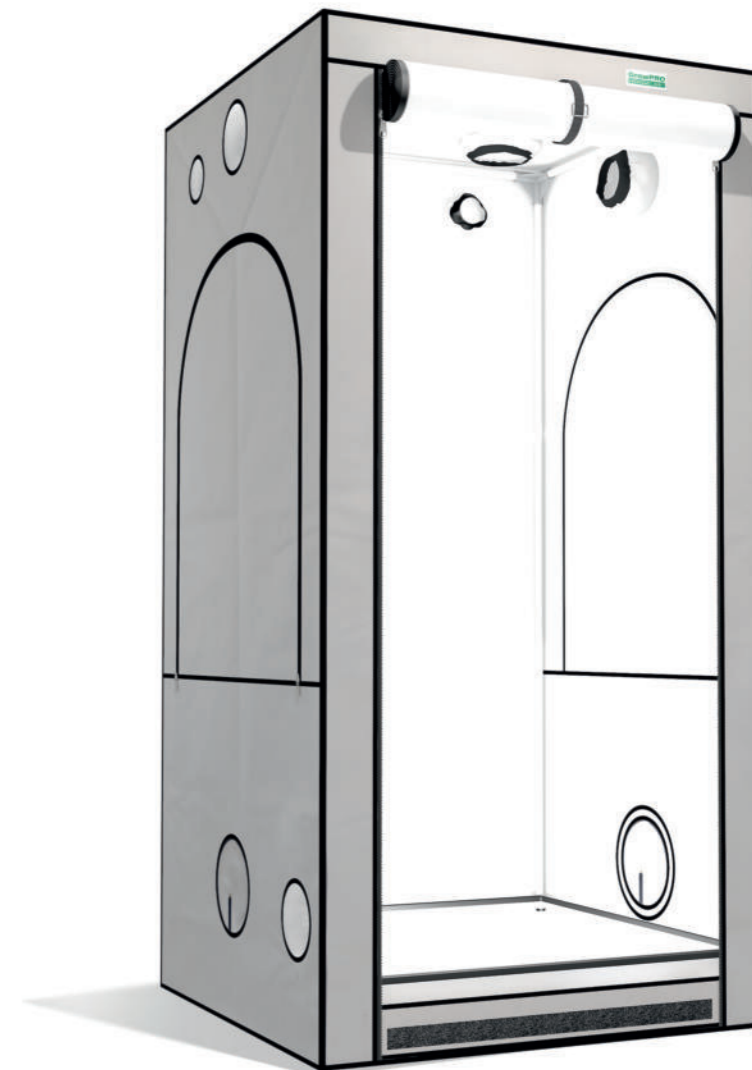
Flexible adjustment, yet astonishingly strong: The professional suspension solution.

The Rope Ratchets consist of a high-strength rope about 2.4 metres long, a ratchet, and 2 sturdy snap hooks; one at the end of the rope, the other at the ratchet.

The Rope Ratchets are installed above the area to be lit (e.g. on a ceiling hook, on the upper rod of a grow tent), and you can hook equipment weighing up to 60 kg on the end of the rope with the snap hook.

XS · S · L · XL

GrowPRO
3.0



MOUNTING INSTRUCTIONS

Instrucciones de montaje
Aufbauanleitung · Notice de montage
Montage instructies · Istruzioni per l'assemblaggio
Montážní Návod · Instrukcje montażu

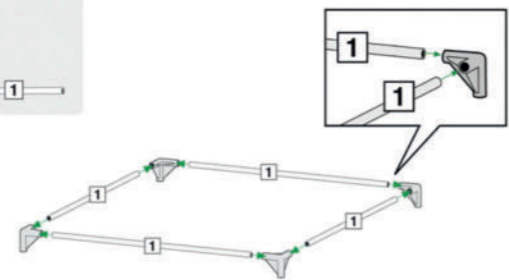
MOUNTING INSTRUCTIONS

- 8x [Triangle] 4x [Bracket] 4x [Bracket] 4x [Bracket] 1x [Roll]
 - 12x [Rod 1] 4x [Rod 2] 4x [Rod 3] 4x [Rod 8] 2x [Cap 10] 1x [Box 7]
- NUMBER OF COMPONENTS VARIES PER MODEL



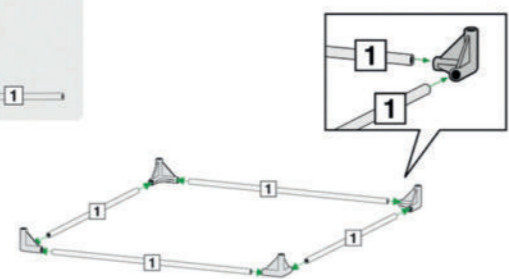
A1

- 4x [Triangle] 4x [Rod 1]



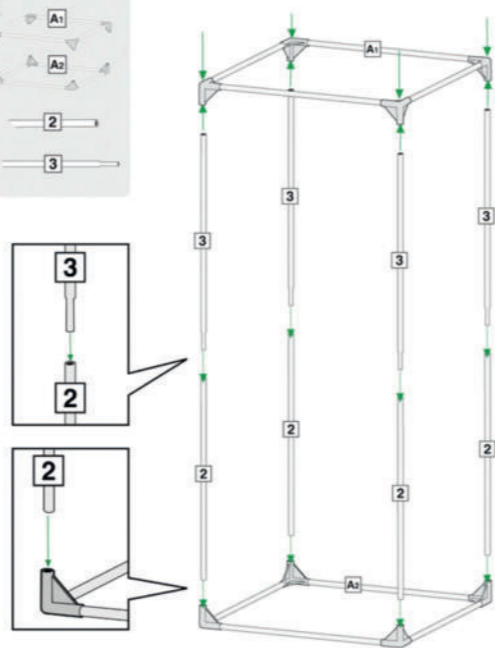
A2

- 4x [Triangle] 4x [Rod 1]



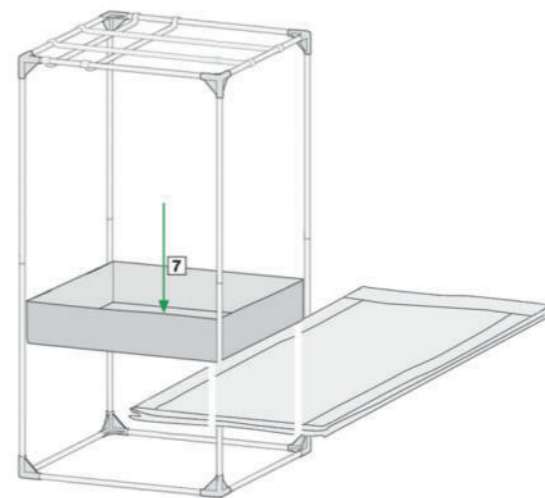
B

- 4x [Rod 2] 4x [Rod 3]



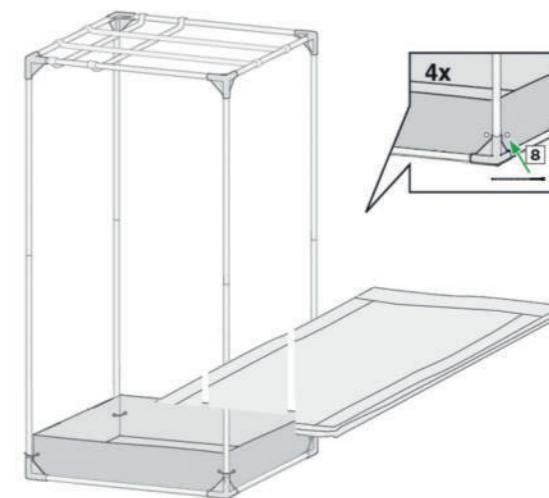
F1

- 1x [Box 7]

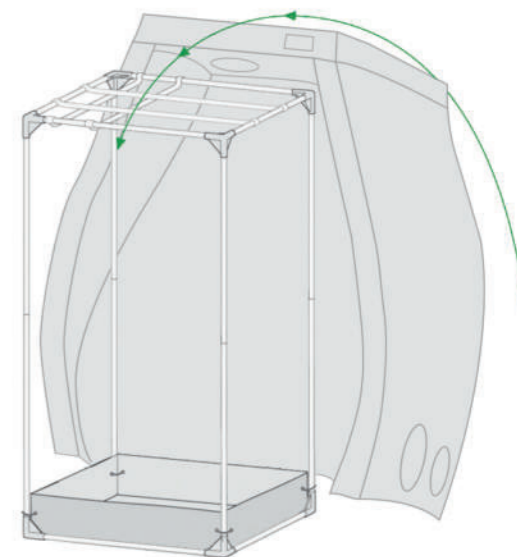


F2

- 4x [Rod 8]

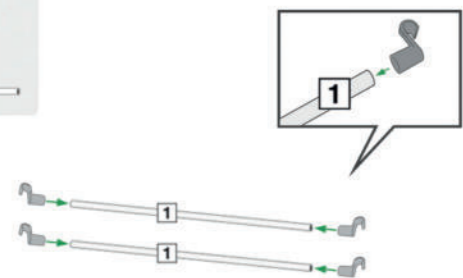


G



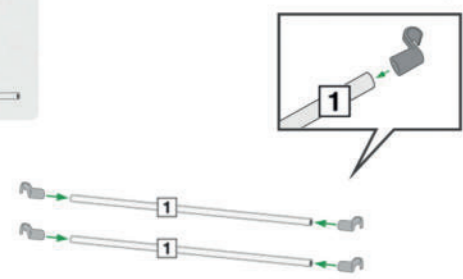
C1

- 4x [Bracket] 2x [Rod 1]



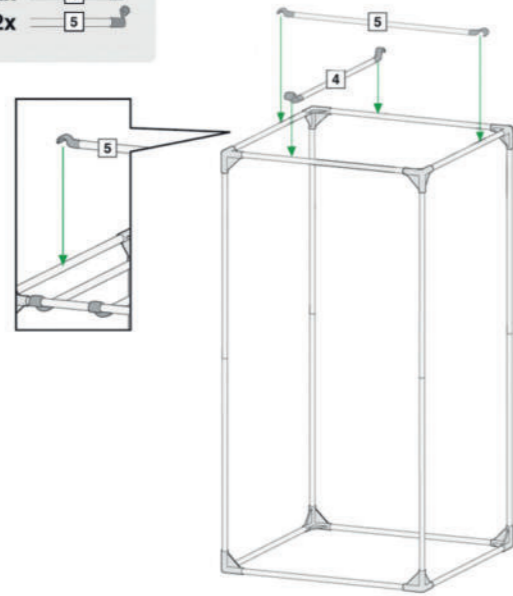
C2

- 4x [Bracket] 2x [Rod 1]



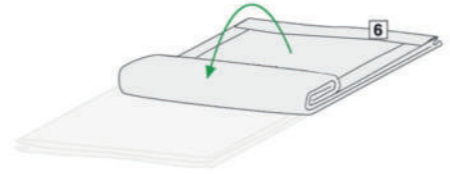
D

- 2x [Rod 4] 2x [Rod 5]

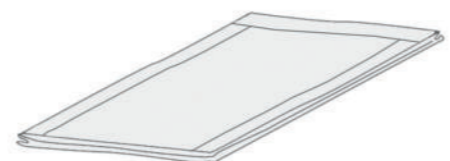


E1

- 1x [Roll 6]

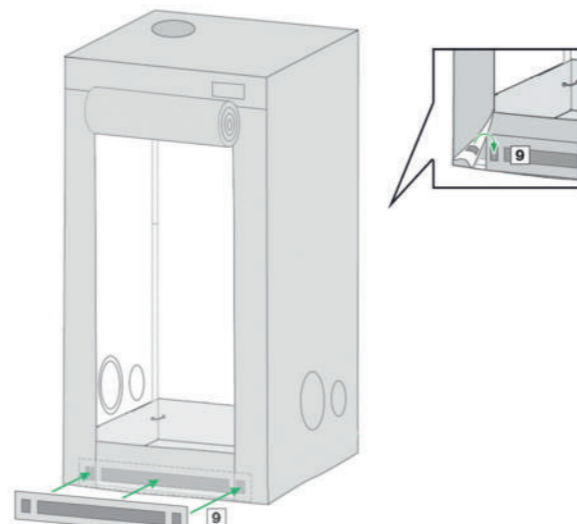


E2



H1

- 1x [Rod 9]



H2

- 2x [Cap 10]

